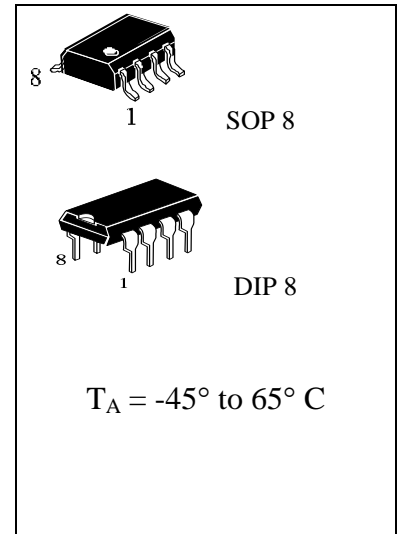


# Tone Ringer

## IL2411N/D

The IL2411 is a bipolar integrated circuit designed for telephone bell replacement.

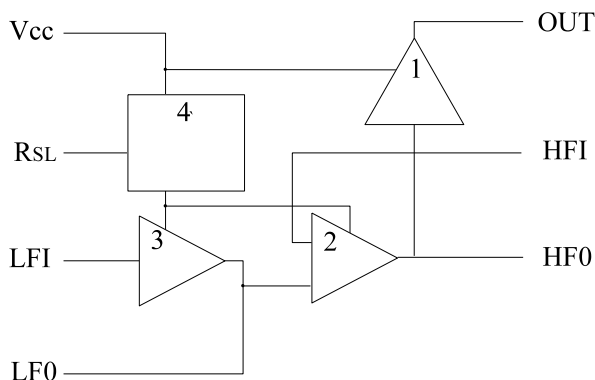
- Designed for Telephone Bell Replacement
- Low Current Drain
- Adjustable 2-frequency Tone
- Adjustable Warbling Rate
- Extension Tone Ringer Modules
- Alarms or Other Alerting Devices
- Adjustable for Reduced Supply Initiation Current.
- Built-in hysteresis prevents false triggering and rotary dial ‘Chirps’



### ORDERING INFORMATION

Device	Operating Temperature Range	Package	Packing
IL2411N	$T_A = -45^\circ \text{ to } 65^\circ \text{ C}$	DIP8	Tube
IL2411D		SOP8	Tube
IL2411DT		SOP8	Tape & Reel

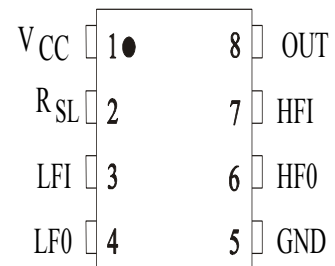
### LOGIC DIAGRAM



PIN 1 =  $V_{CC}$   
 PIN 5 = GND

1. Output amplifier
2. High frequency oscillator
3. Low frequency oscillator
4. Hysteresis regulator  
 (Regulator circuit has built-in hysteresis to prevent false triggering and rotary dial “Chirps”)

### PIN ASSIGNMENT



**PIN DESCRIPTION**

Name	Pin	Description
V <sub>CC</sub>	1	Positive power supply.
R <sub>SL</sub>	2	External resistor
LFI	3	Input low frequency oscillator
LF0	4	Output low frequency oscillator
GND	5	Negative power supply
HF0	6	High frequency oscillator output
HFI	7	High frequency oscillator input
Out	8	Tone output

**MAXIMUM RATINGS\***

Symbol	Parameter	Value	Unit
V <sub>CC</sub>	DC Supply Voltage (Referenced to GND)	to +30.0	V
P <sub>D</sub>	Power Dissipation in Still Air, Plastic DIP	400	mW
T <sub>stg</sub>	Storage Temperature	-65 to +150	°C

\* Stresses beyond those listed under “absolute maximum ratings” may cause permanent damage to the device. These are stress ratings only and functional operation of the device at these or any other conditions beyond those indicated under “recommended operating conditions” is not implied. Exposure to absolute-maximum-rated conditions for extended periods may affect device reliability.

**RECOMMENDED OPERATING CONDITIONS**

Symbol	Parameter	Min	Max	Unit
V <sub>CC</sub>	DC Supply Voltage (Referenced to GND)	13.0	29.0	V
T <sub>A</sub>	Operating Temperature	-45	+65	°C

This device contains protection circuitry to guard against damage due to high static voltages or electric fields. However, precautions must be taken to avoid applications of any voltage higher than maximum rated voltages to this high-impedance circuit. For proper operation, V<sub>IN</sub> and V<sub>OUT</sub> should be constrained to the range GND ≤ (V<sub>IN</sub> or V<sub>OUT</sub>) ≤ V<sub>CC</sub>.

Unused inputs must always be tied to an appropriate logic voltage level (e.g., either GND or V<sub>CC</sub>). Unused outputs must be left open.

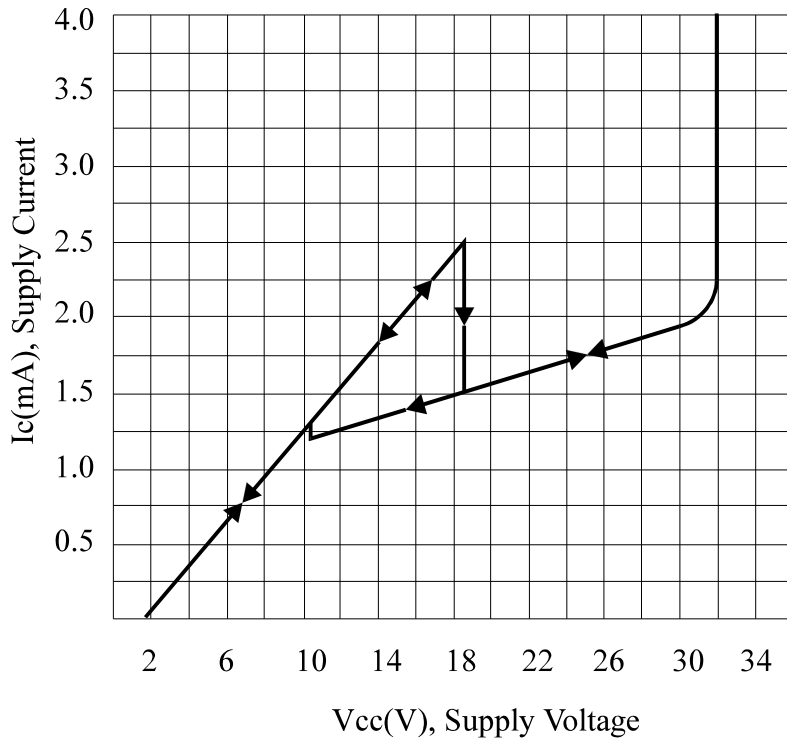
**ELECTRICAL CHARACTERISTICS** (Voltages Referenced to GND,  $T_A = -20$  to  $+70^\circ\text{C}$ )

Symbol	Parameter	Test Conditions	Guaranteed Limits			Unit
			Min	Typ	Max	
$V_{SI}$	Initiation Supply Voltage (1)	See Figure 1	16.8		21.2	V
$I_{SI}$	Initiation Supply Current (1)		1.4		4.2	mA
$V_{SUS}$	Sustaining Voltage (2)	See Figure 1	9.5		12.2	V
$I_{SUS}$	Sustaining Current (2)	No Load $V_{CC}=V_{SUS}$ See Figure 1	0.7		2.5	mA
$V_{OH}$	High-Level Output Voltage	$V_{CC}=21\text{V}$ , $I_{OH}=-15\text{mA}$ , Pin 6=6V, Pin 7=GND	16.7		21.0	V
$V_{OL}$	Low-Level Output Voltage	$V_{CC}=21\text{V}$ , $I_{OL}=15\text{mA}$ , Pin 6=GND, Pin 7=6V	-		1.8	V
$I_{IN}$	Maximum Input Leakage Current (Pin 3) (Pin 7)	Pin 3=6V, Pin 4=GND, $V_{CC}=21\text{V}$	-		1.0	$\mu\text{A}$
		Pin 7=6V, Pin 6=GND, $V_{CC}=21\text{V}$	-		1.0	$\mu\text{A}$
$f_{H1}$	High Frequency 1	$R_3=191\text{K}\Omega$ , $C_3=6800\text{pF}$	461		563	Hz
$f_{H2}$	High Frequency 2	$R_3=191\text{K}\Omega$ , $C_3=6800\text{pF}$	576		704	Hz
$f_L$	Low Frequency	$R_2=165\text{K}\Omega$ , $C_2=0.47\mu\text{F}$	9.0		11.0	Hz

**Notes:**

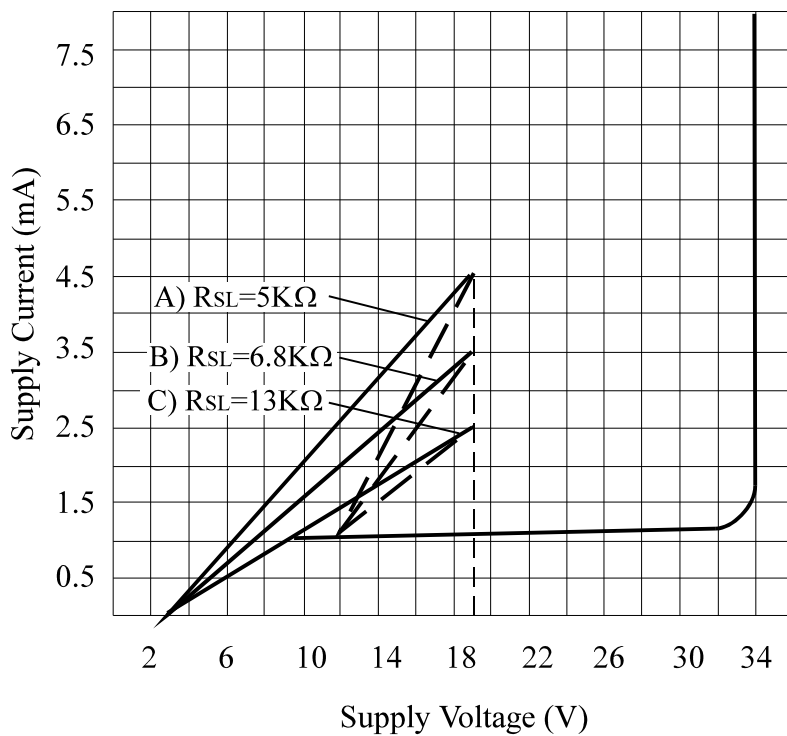
1. Initiation supply voltage ( $V_{SI}$ ) is the supply voltage required to start the tone ringer oscillating.
2. Sustaining voltage ( $V_{SUS}$ ) is the supply voltage required to maintain oscillation.

**CIRCUIT CURRENT-SUPPLY VOLTAGE (NO LOAD)**



**Figure 1**

**SUPPLY CURRENT (NO LOAD) VC. SUPPLY VOLTAGE**



**Figure 2**

APPLICATION CIRCUIT

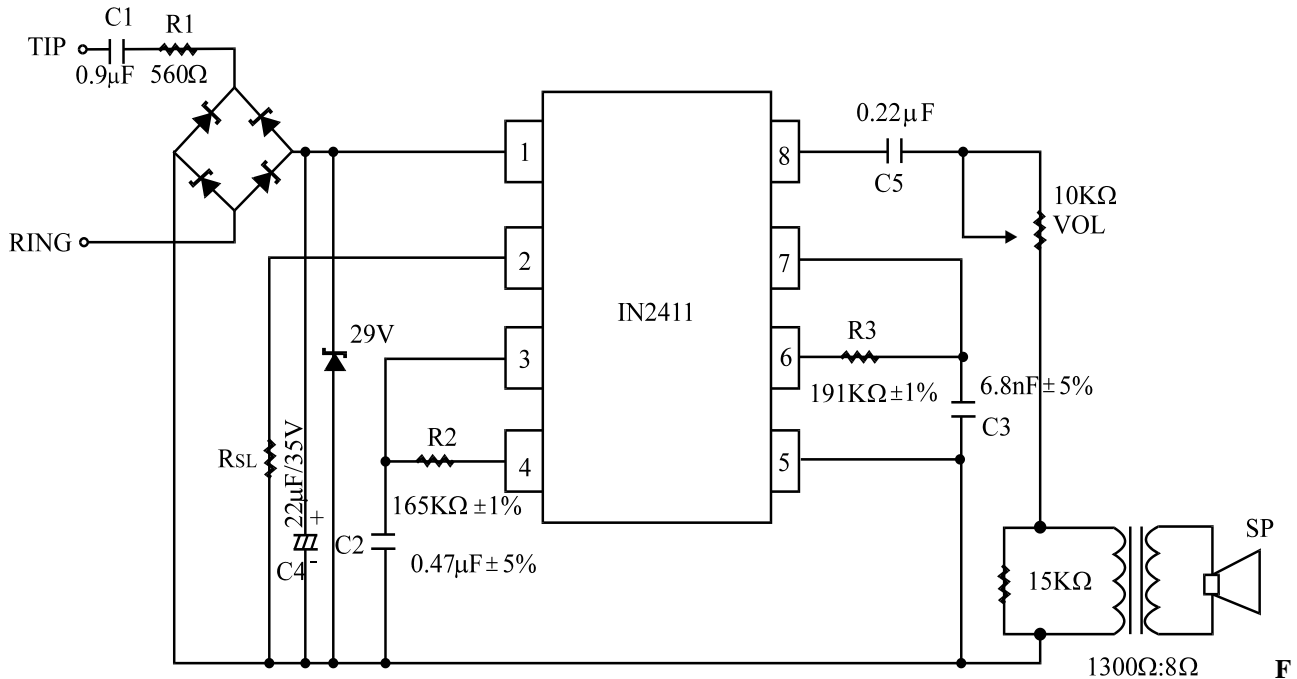


figure 3

APPLICATION NOTE

The application circuit illustrates the use of the IL2411 devices in typical telephone or extension tone ringer application. The AC ringer signal voltage appears across the TIP and RING inputs of the circuit and is attenuated by capacitor C<sub>1</sub> and resistor R<sub>1</sub>.

C<sub>1</sub> also provides isolation from DC voltages (48V) on the exchange line.

After full wave rectification by the bridge diode, the waveform is filtered by capacitor C<sub>4</sub> to provide a DC supply for the tone ringer chip.

As this voltage exceeds the initiation voltage (V<sub>SI</sub>), oscillation starts.

With the components shown, the output frequency chops between 512(f<sub>h1</sub>) and 640Hz(f<sub>h2</sub>) at a 10Hz(f<sub>L</sub>) rate.

The loudspeaker load is coupled through a 1300Ω to 8Ω transformer.

The output coupling capacitor C<sub>5</sub> is required with transformer coupled loads.

When driving a piezo-ceramic transducer type load, the coupling C<sub>5</sub> and transformer (1300Ω:8Ω) are not required.

However, a current limiting resistor is required.

The low frequency oscillator oscillates at a rate (f<sub>L</sub>) controlled by an external resistor (R<sub>2</sub>) and capacitor (C<sub>2</sub>).

The frequency can be determined using the relation  $f_L = 1/1.289R_2 * C_2$ . The high frequency oscillates at a f<sub>H1</sub>, f<sub>H2</sub>

controlled by an external resistor (R<sub>3</sub>) and capacitor (C<sub>3</sub>). The frequency can be determined using the relation

$f_{H1} = 1/1.504R_3 * C_3$ ,  $f_{H2} = 1/1.203R_3 * C_3$ .

Pin 2 allows connection of an external resistor R<sub>SL</sub>, which is used to program the slope of the supply current vs supply voltage characteristics (see Fig2), and hence the supply current up to the initiation voltage (V<sub>SI</sub>). This initiation voltage remains constant independent of R<sub>SL</sub>.

The supply current drawn prior to triggering varies inversely with R<sub>SL</sub>, decreasing for increasing value of resistance.

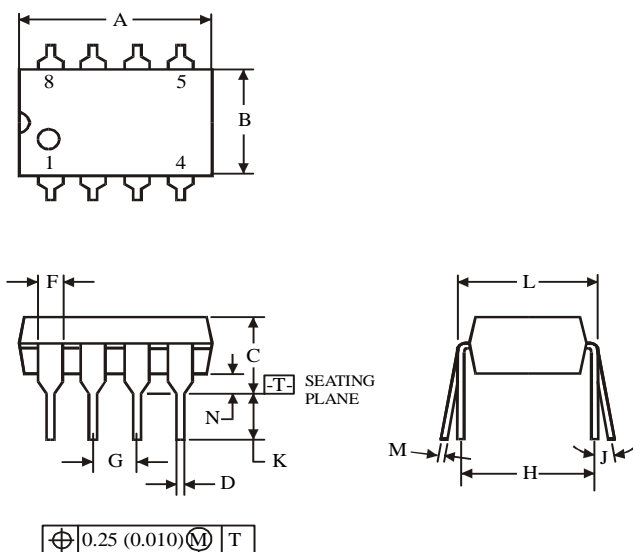
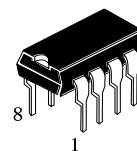
Thus, increasing the value of R<sub>SL</sub> will decrease the amount of AC ringing current required to trigger the device. As such, longer subscriber loops are possible since less voltage is dropped per unit length of loop wire due to the lower current level. R<sub>SL</sub> can also be used to compensate for smaller AC coupling capacitors (C<sub>5</sub> on Fig 3) (higher impedance) to the line which can be used to alter the ringer equivalence number of a tone ringer circuit.

The graph in Fig2 illustrates the variation of supply current with supply voltage. Three curves are drawn to show the variation of initiation current with R<sub>SL</sub>. Curve B (R<sub>SL</sub>=6.8KΩ) shows the I-V characteristic for the IL2411 tone ringer.

Curve A is a plot with R<sub>SL</sub><6.8KΩ and shows an increase in the current drawn up to the initiation voltage V<sub>SI</sub>. The I-V characteristic after initiation remains unchanged. Curve C illustrates the effect of increasing R<sub>SL</sub> above 6.8KΩ initiation

current decreases but again current after triggering is unchanged.

**N SUFFIX PLASTIC DIP  
(MS - 001BA)**

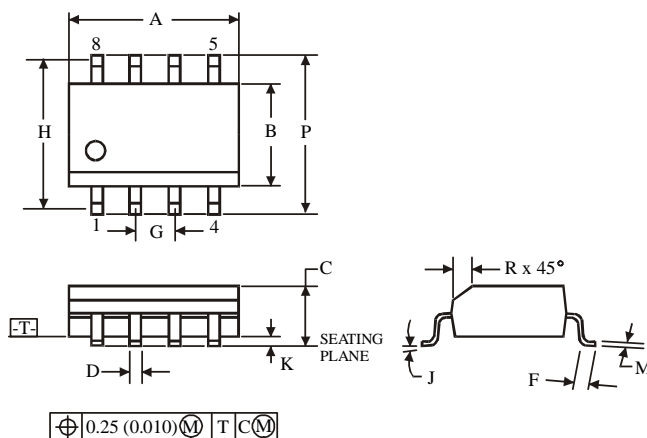
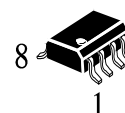


Symbol	Dimension, mm	
	MIN	MAX
A	8.51	10.16
B	6.1	7.11
C		5.33
D	0.36	0.56
F	1.14	1.78
G	2.54	
H	7.62	
J	0°	10°
K	2.92	3.81
L	7.62	8.26
M	0.2	0.36
N	0.38	

**NOTES:**

- Dimensions "A", "B" do not include mold flash or protrusions.  
Maximum mold flash or protrusions 0.25 mm (0.010) per side.

**D SUFFIX SOIC  
(MS - 012AA)**



Symbol	Dimension, mm	
	MIN	MAX
A	4.8	5
B	3.8	4
C	1.35	1.75
D	0.33	0.51
F	0.4	1.27
G	1.27	
H	5.72	
J	0°	8°
K	0.1	0.25
M	0.19	0.25
P	5.8	6.2
R	0.25	0.5

**NOTES:**

- Dimensions A and B do not include mold flash or protrusion.
- Maximum mold flash or protrusion 0.15 mm (0.006) per side for A; for B - 0.25 mm (0.010) per side.